

TIMBERLAKE BUILDING CENTER

THE BUILDERS SHOWROOM

MULTI-FAMILY | INSTITUTIONAL | COMMERCIAL



STEEL FASTENERS & ACCESSORIES

OUR PRODUCTS

CHANNEL SPRING NUTS

STAINLESS STEEL SPRING NUT, STRUT BRACKETS

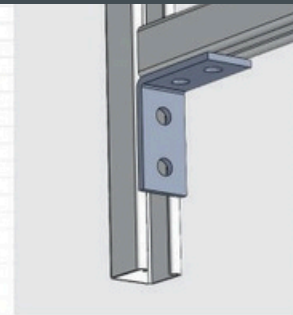
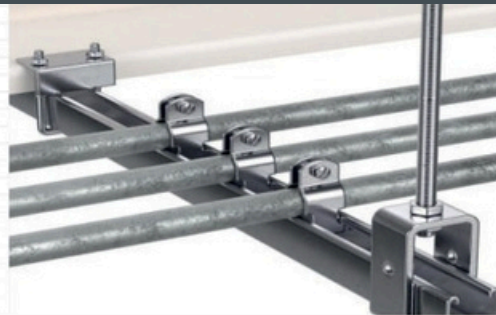
THREADED RODS, BEAM CLAMPS, PIPE CLAMPS

FASTENER & FITTING PRODUCTS

CABLE TRAY ACCESSORIES, NUT BOLT WASHER

Finishes / Coatings Available

- » Stainless Steel A2/A4 (304/316)
- » Electro Plating
- » Hot Dip Galvanize
- » Zinc Flake Coating Plant



FOR MORE INFORMATION CONTACT RAJ THIND 604-616-3986

4385 CANADA WAY, BURNABY, BC V5G 1J3



THREADED RODS & STUDS

Threaded Rods as per

DIN 975 / DIN 976/ BS 916 / ASTM A - 193
/ DIN 976-1 / DIN 976-2

Standard:

DIN 975 / 976 , ASTM A-193

Diameters:

M5 to M60 & 3/16" to 2.5"

Stock Range:

1 meter, 2 meter, 3 meter &
39", 78", 117"

Threads:

MM, UNC, BSW, UNF & BSF

Grades:

Threaded Rods are made of Grade
4.6, 4.8, 5.6, 6.6, 8.8

Finishing / Coating:

Electro Zinc Plated (Blueish White & Yellow Golden),
Mechanical Galvanizing
Hot Dip Galvanizing, Auto Black,
Self Finish, SS 304, SS 302 (A2, A4)

Zink Flake Coating

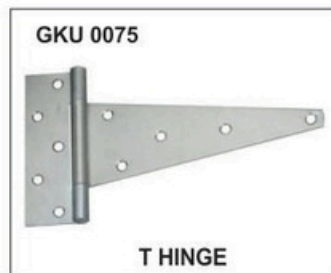




FIXING & OTHER ACCESSORIES



NUT BOLT & ACCESSORIES





CHANNEL SPRING NUTS

Sizes:

6mm/ 8mm / 10mm / 12mm

1/4", 5/16", 3/8", 1/2"

Key Attributes:

Long Spring Designed for
21x41, 41x41, 62x41, 83x41
Strut Channel, Stainless Steel,
Zinc Plated, Hot Dip Galvanized
The Channel Nuts are also available in
SS304 (A2) and SS316 (A4)

Finishing / Coating:

Hot Dip Galvanized (HDG)
Mechanical
Bright Zinc Plated
Yellow Passivation
Stainless Steel

Zink Flake Coating



Channel Nut without Spring



Short Spring Nut



Long Spring Nut



Channel Nut With Top Plate



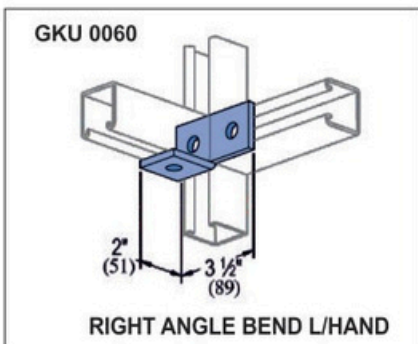
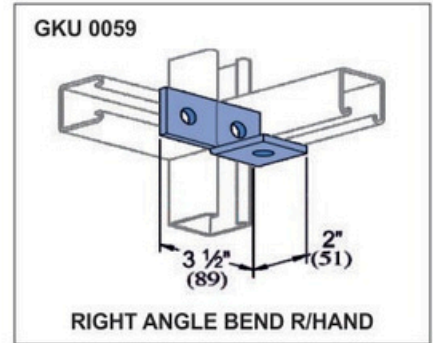
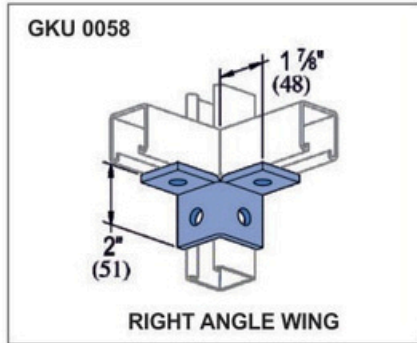
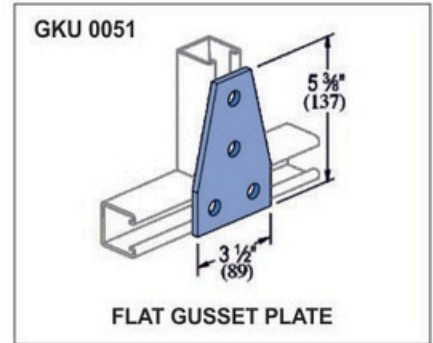
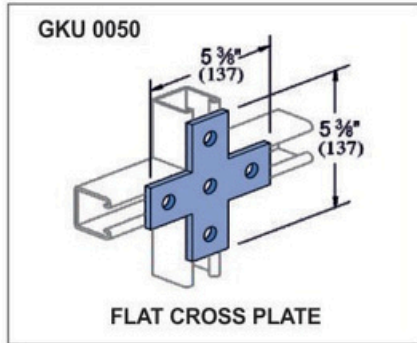
**Hammer Head Channel Nut
With Bolt**



**Channel Nut Top Plate
& Plastic Part**

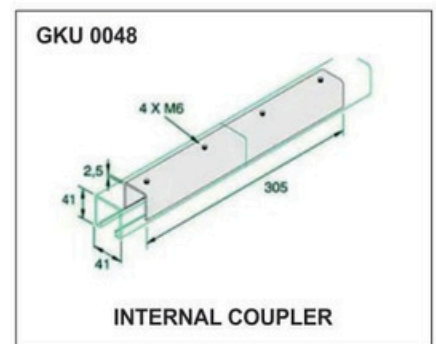
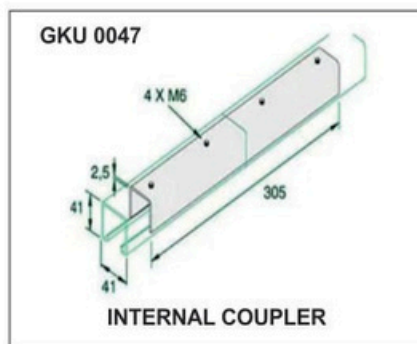
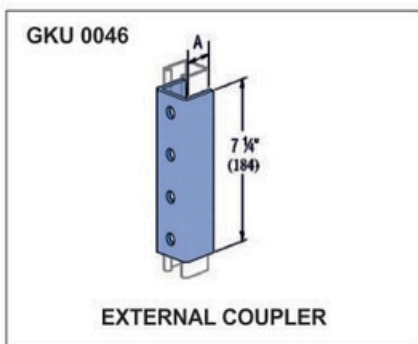
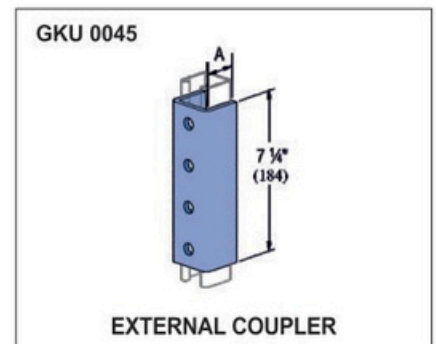
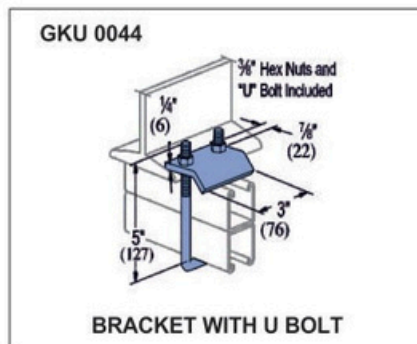
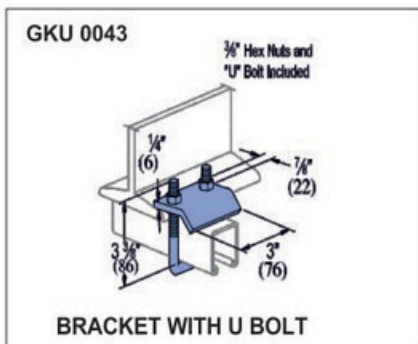
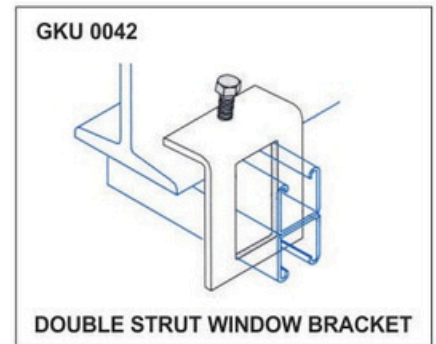
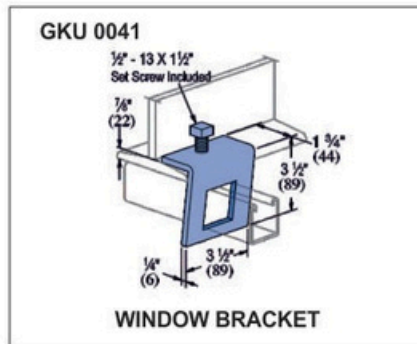
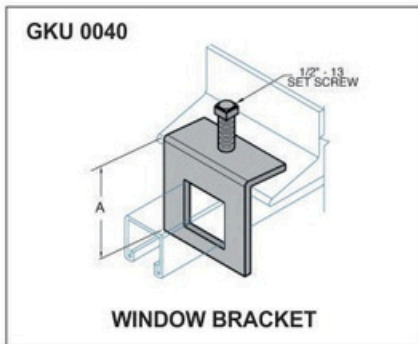
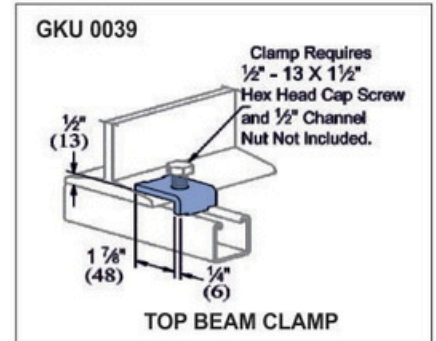
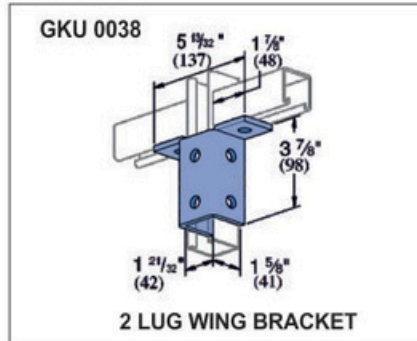


STRUT BRACKETS & METAL FITTINGS



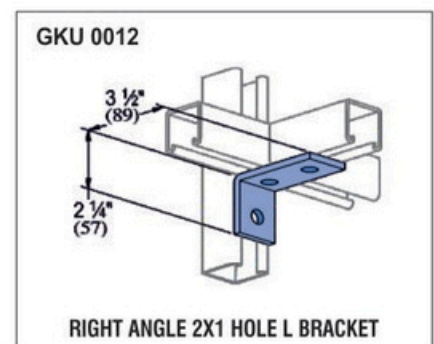
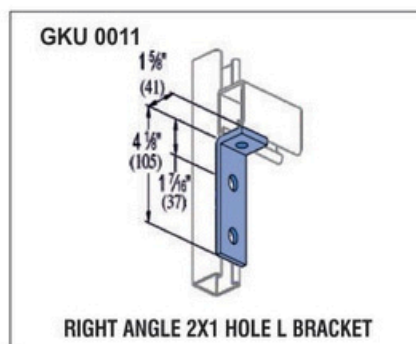
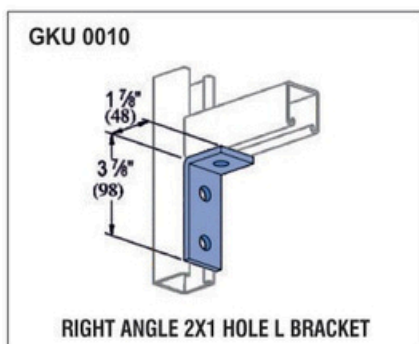
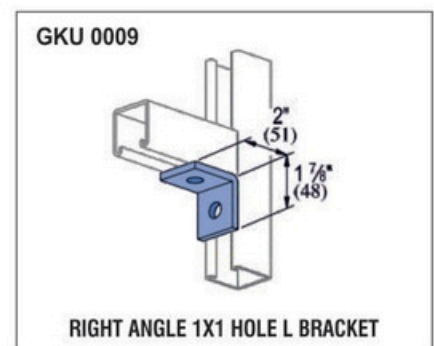
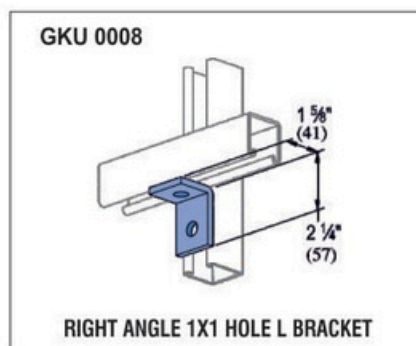
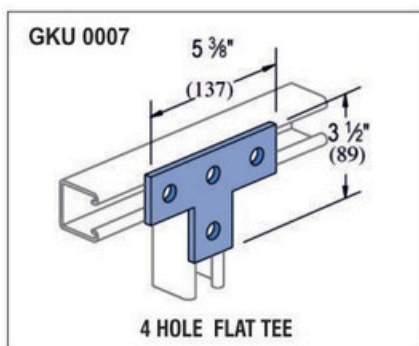
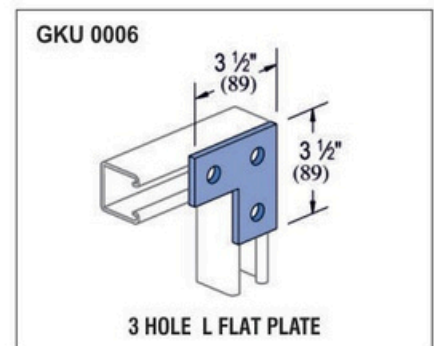
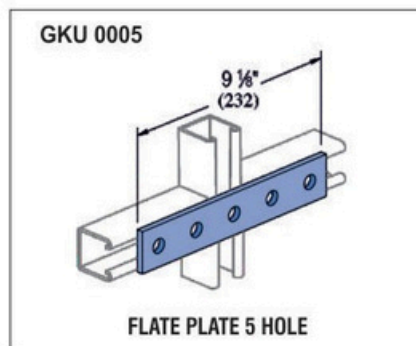
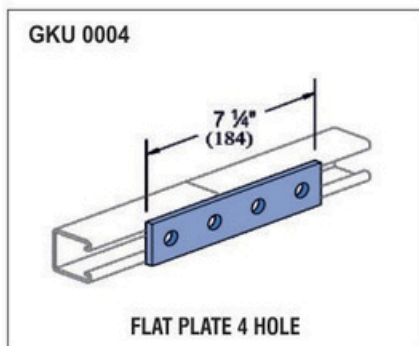
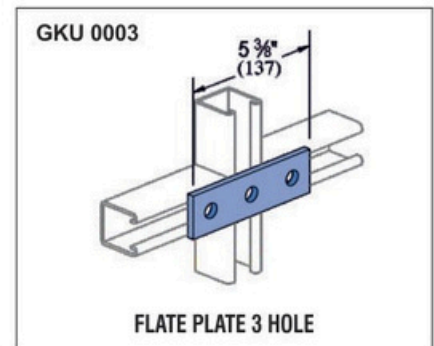
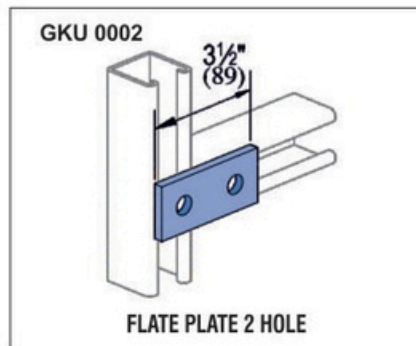
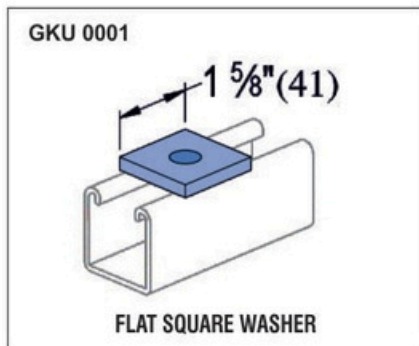


STRUT BRACKETS & METAL FITTINGS



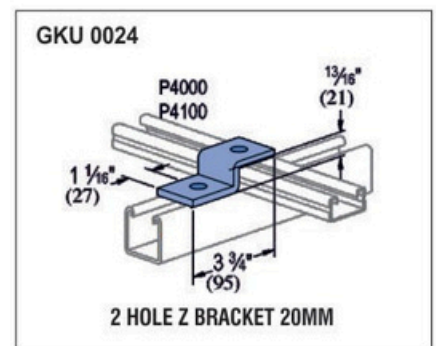
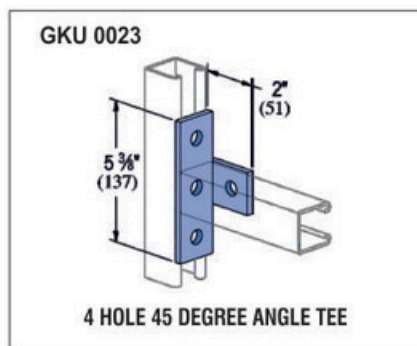
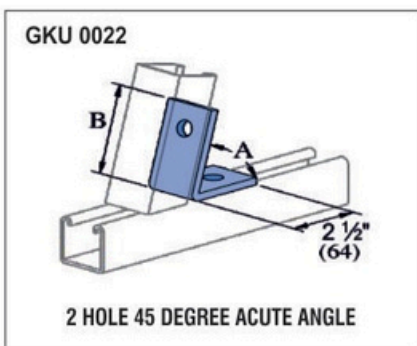
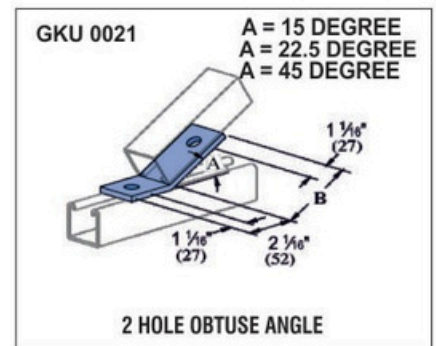
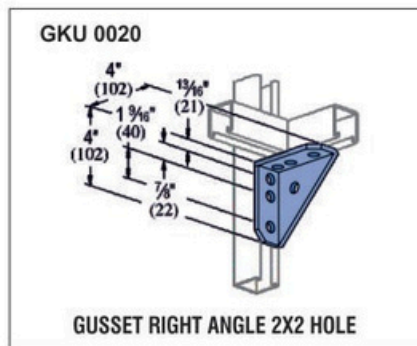
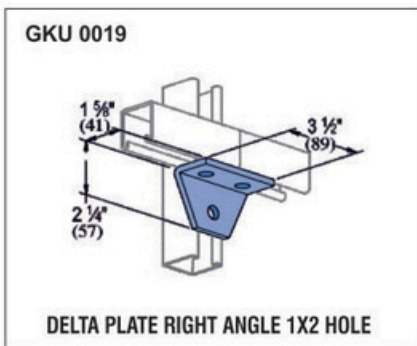
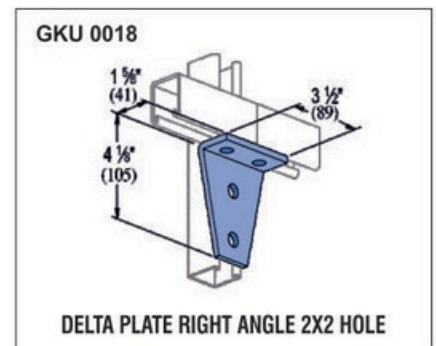
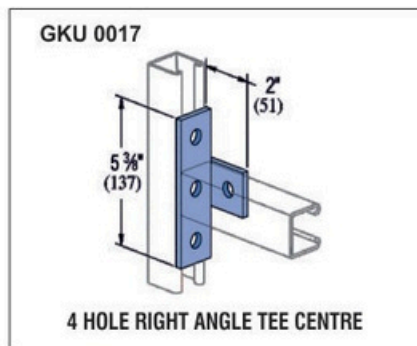
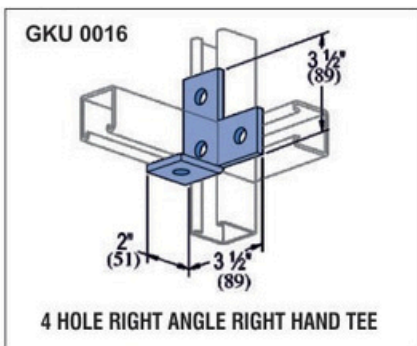
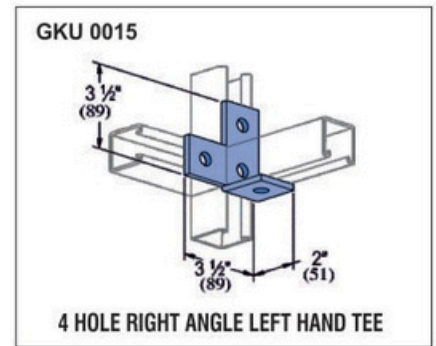
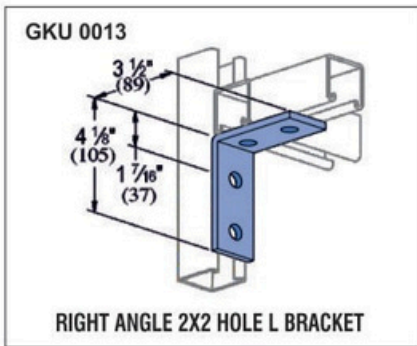


STRUT BRACKETS & METAL FITTINGS



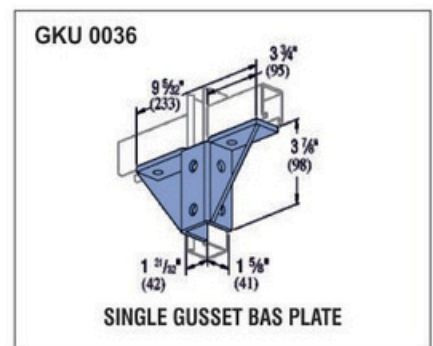
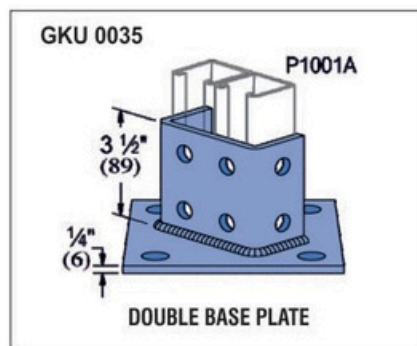
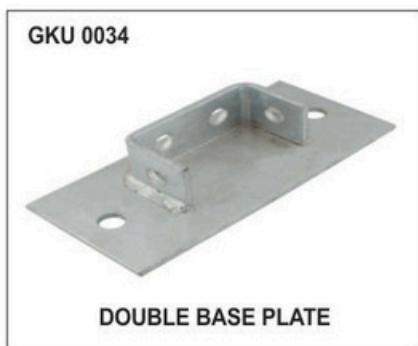
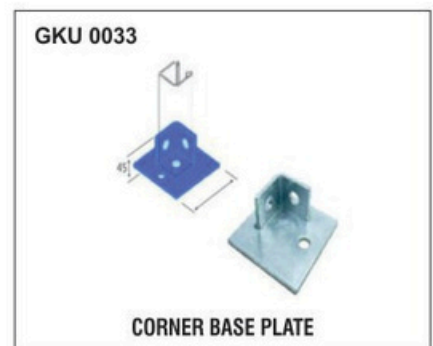
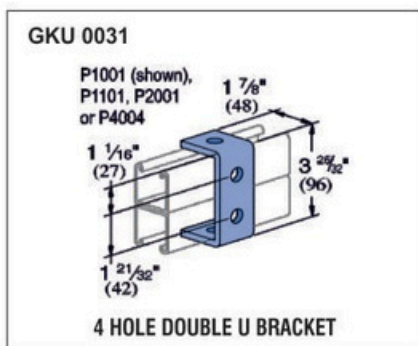
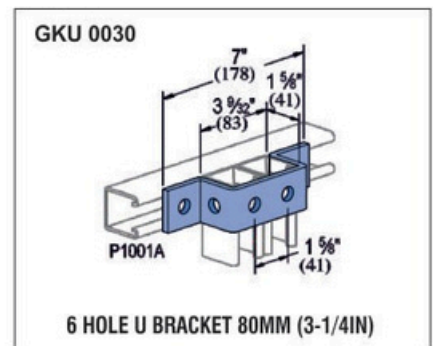
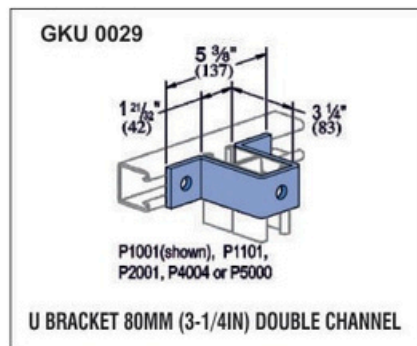
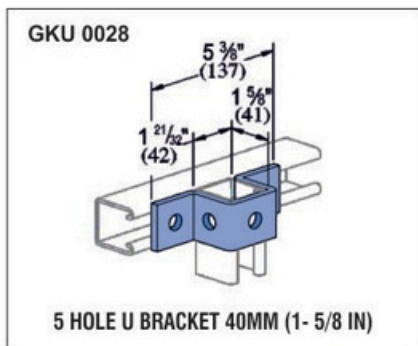
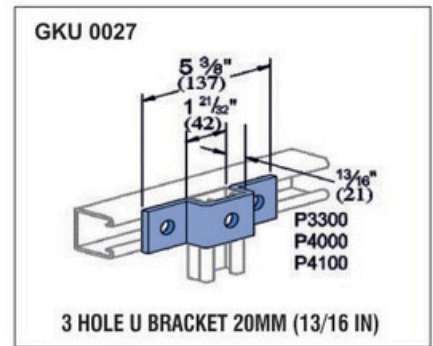
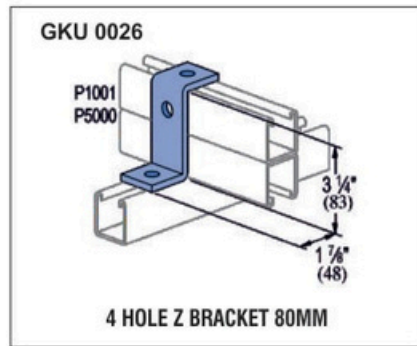
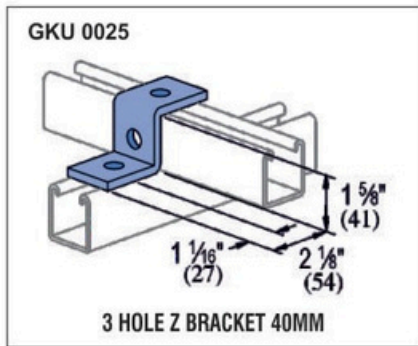


STRUT BRACKETS & METAL FITTINGS





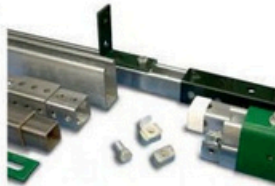
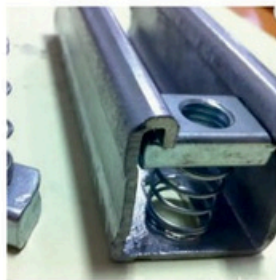
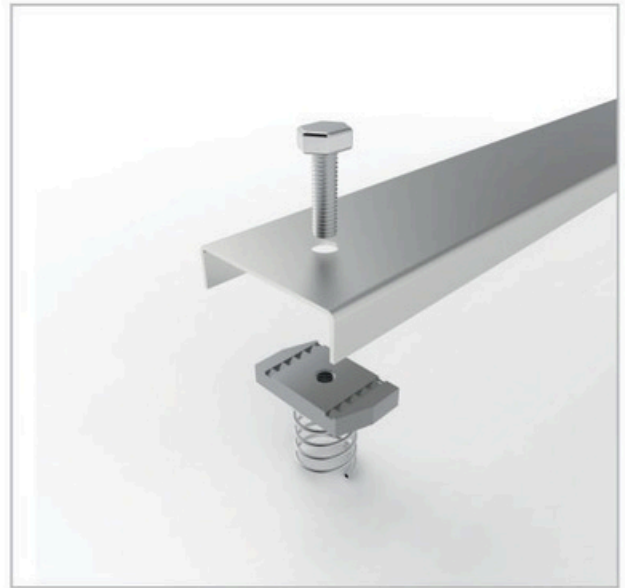
STRUT BRACKETS & METAL FITTINGS



TIMBERLAKE BUILDING CENTER
THE BUILDERS SHOWROOM



STEEL FASTENERS & ACCESSORIES



FOR MORE INFORMATION CONTACT

RAJ THIND 604-616-3986

4385 CANADA WAY, BURNABY, BC V5G 1J3

[CLICK HERE TO GET STARTED](#)

